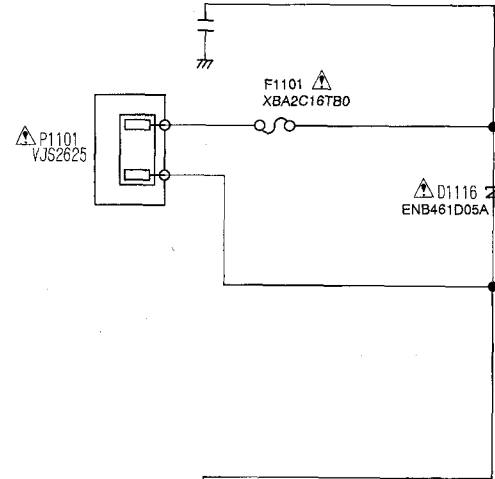
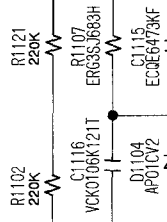


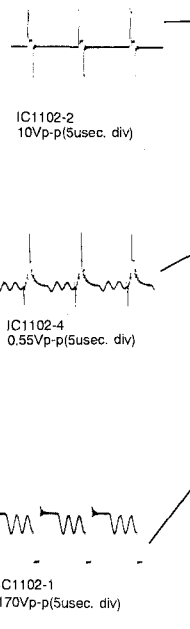
C1101
SD1A,SD2AM ONLY:
VCC0019
SD1BA/EA,SD2BA,
SD3EE ONLY:
VCC0021



C1117
ECA1VXLV470B

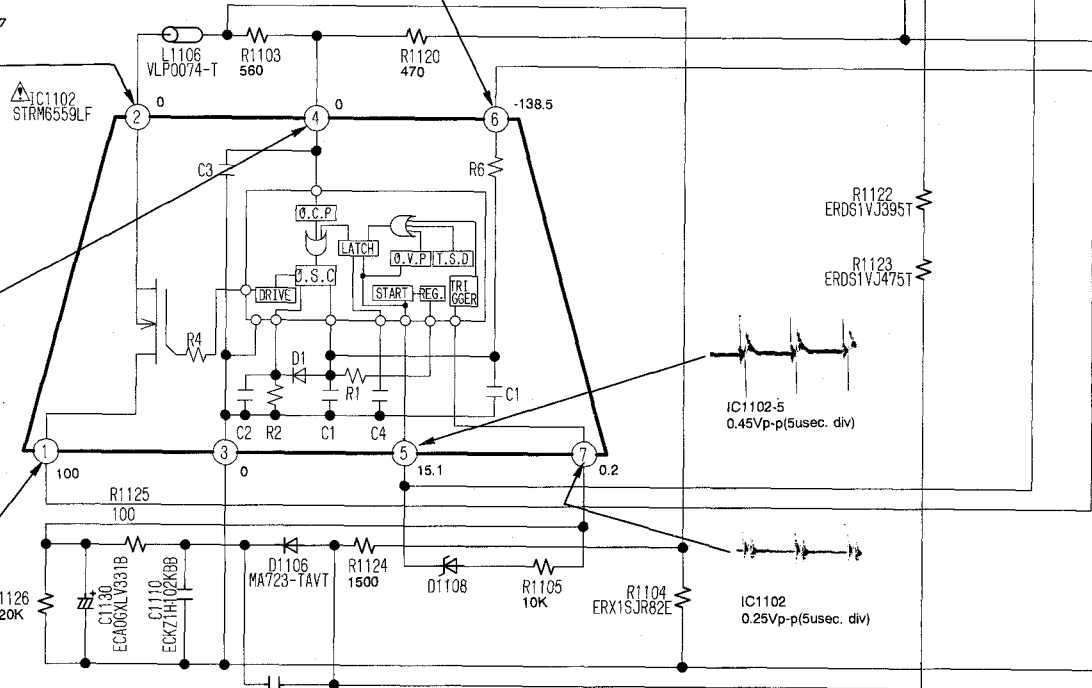


C1106
SD1A,SD2AM ONLY:
VCC0019
SD1BA/EA,SD2BA,
SD3EE ONLY:
VCC0021



IC1102-6
1.0Vp-p(5usec. div)

C1114
VCC0022



IC1102-2
10Vp-p(5usec. div)

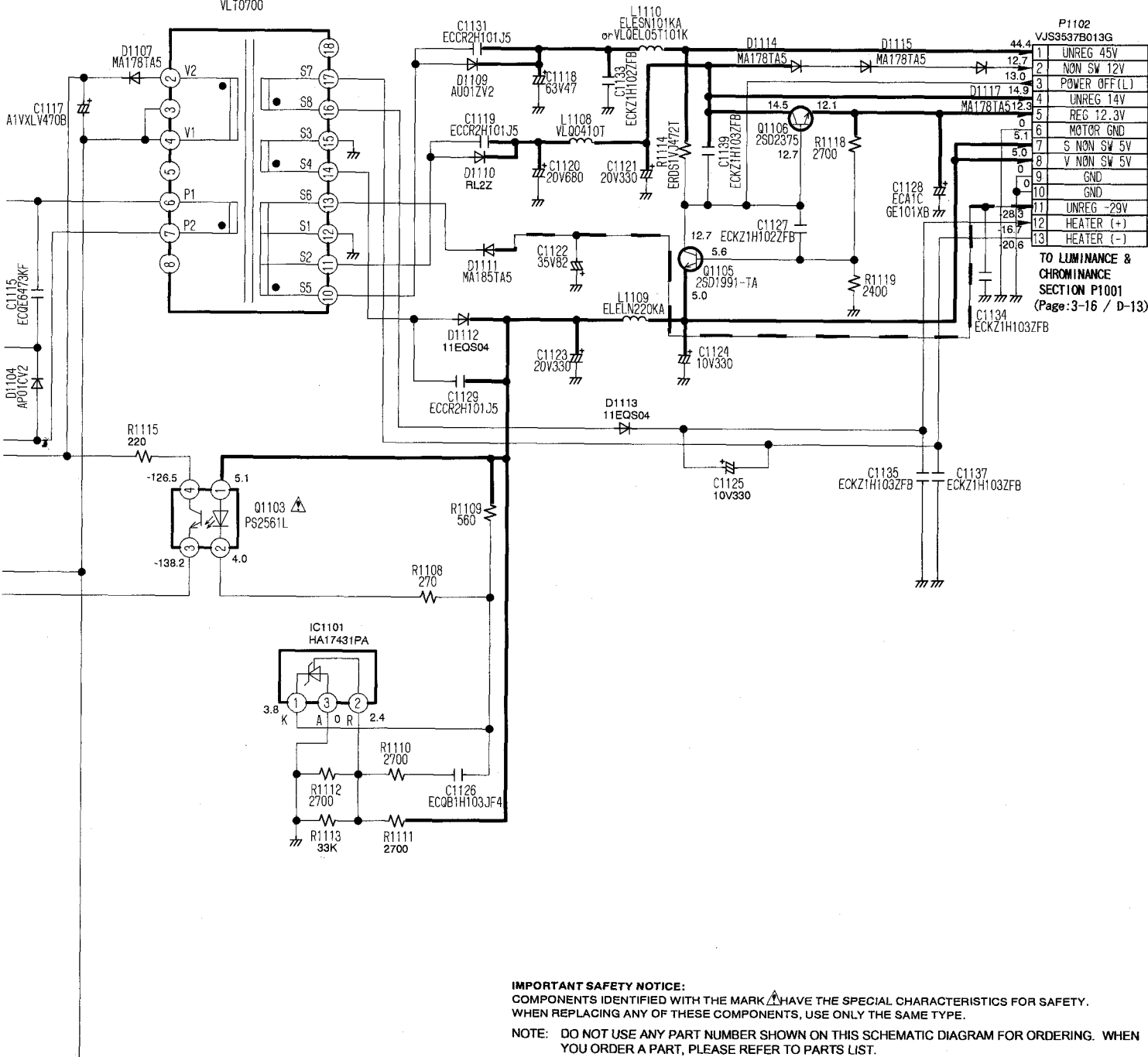
IC1102-4
0.55Vp-p(5usec. div)

IC1102-5
0.45Vp-p(5usec. div)

IC1102-1
170Vp-p(5usec. div)

IC1102
0.25Vp-p(5usec. div)


T1101
VL70700



P1102
VJS3537B013G

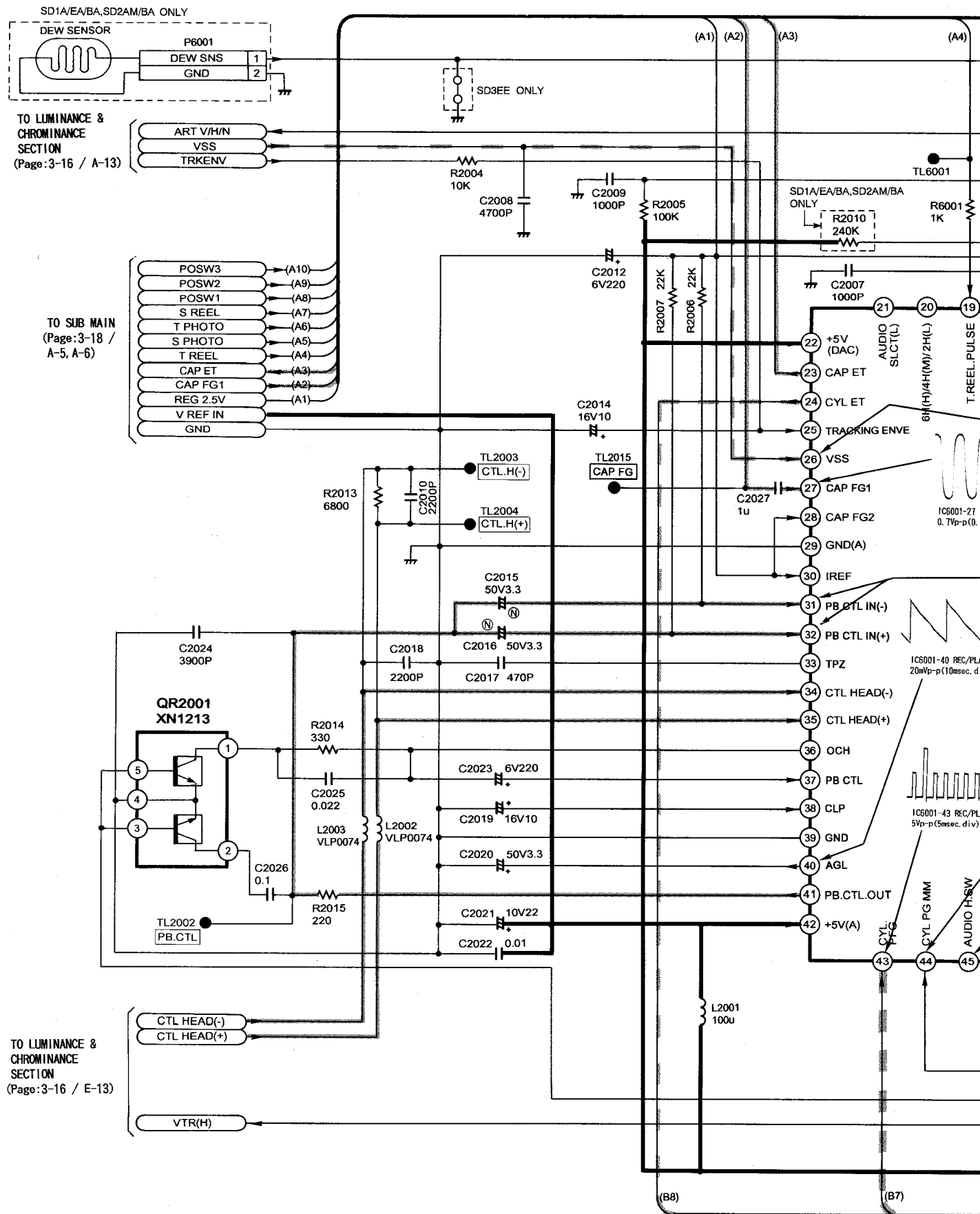
1	UNREG 45V
2	NON SW 12V
3	POWER OFF(L)
4	UNREG 14V
5	REG 12.3V
6	MOTOR GND
7	S NON SW 5V
8	V NON SW 5V
9	GND
10	GND
11	UNREG -29V
12	HEATER (+)
13	HEATER (-)

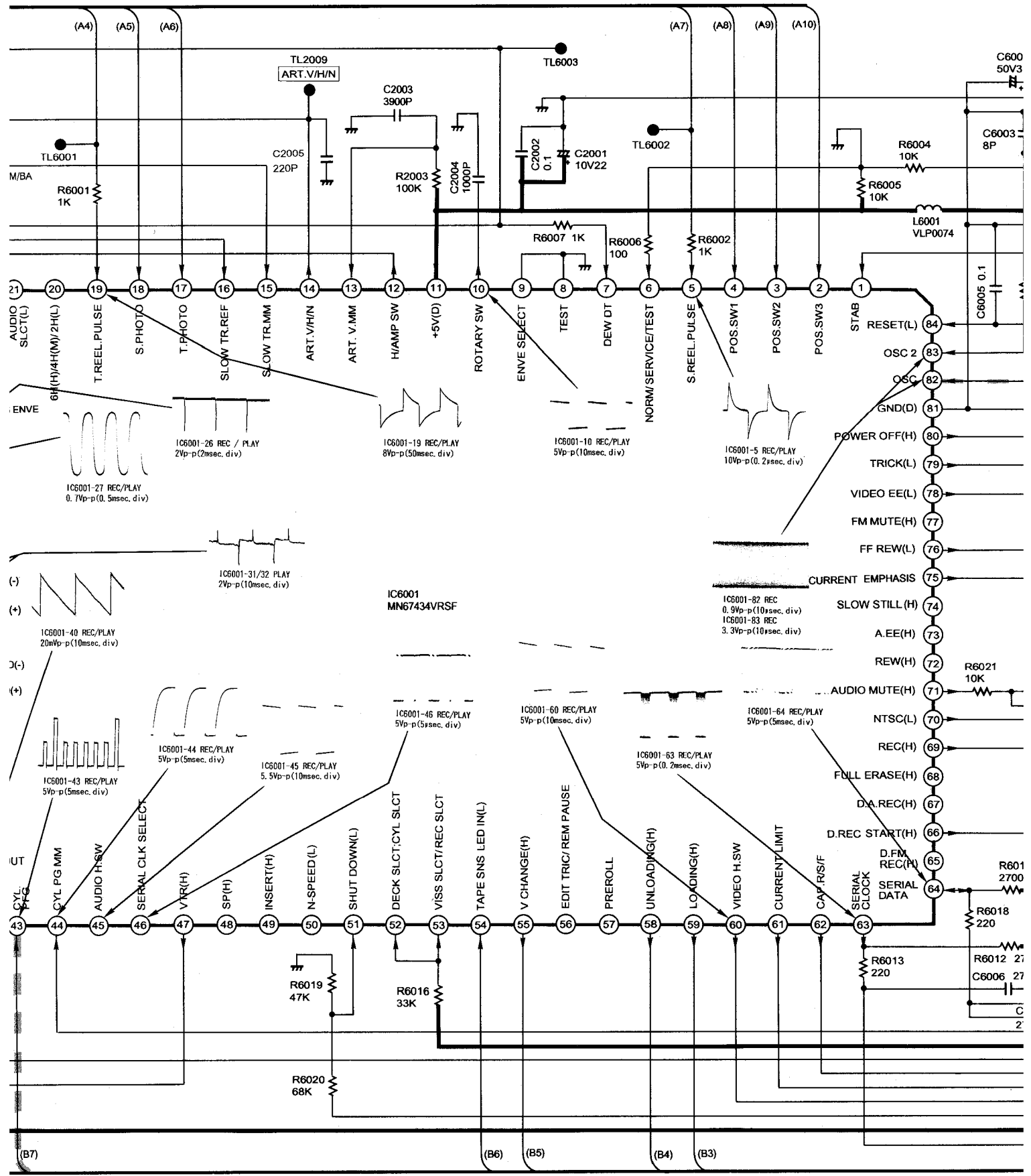
TO LUMINANCE &
CHROMINANCE
SECTION P1001
(Page:3-16 / D-13)

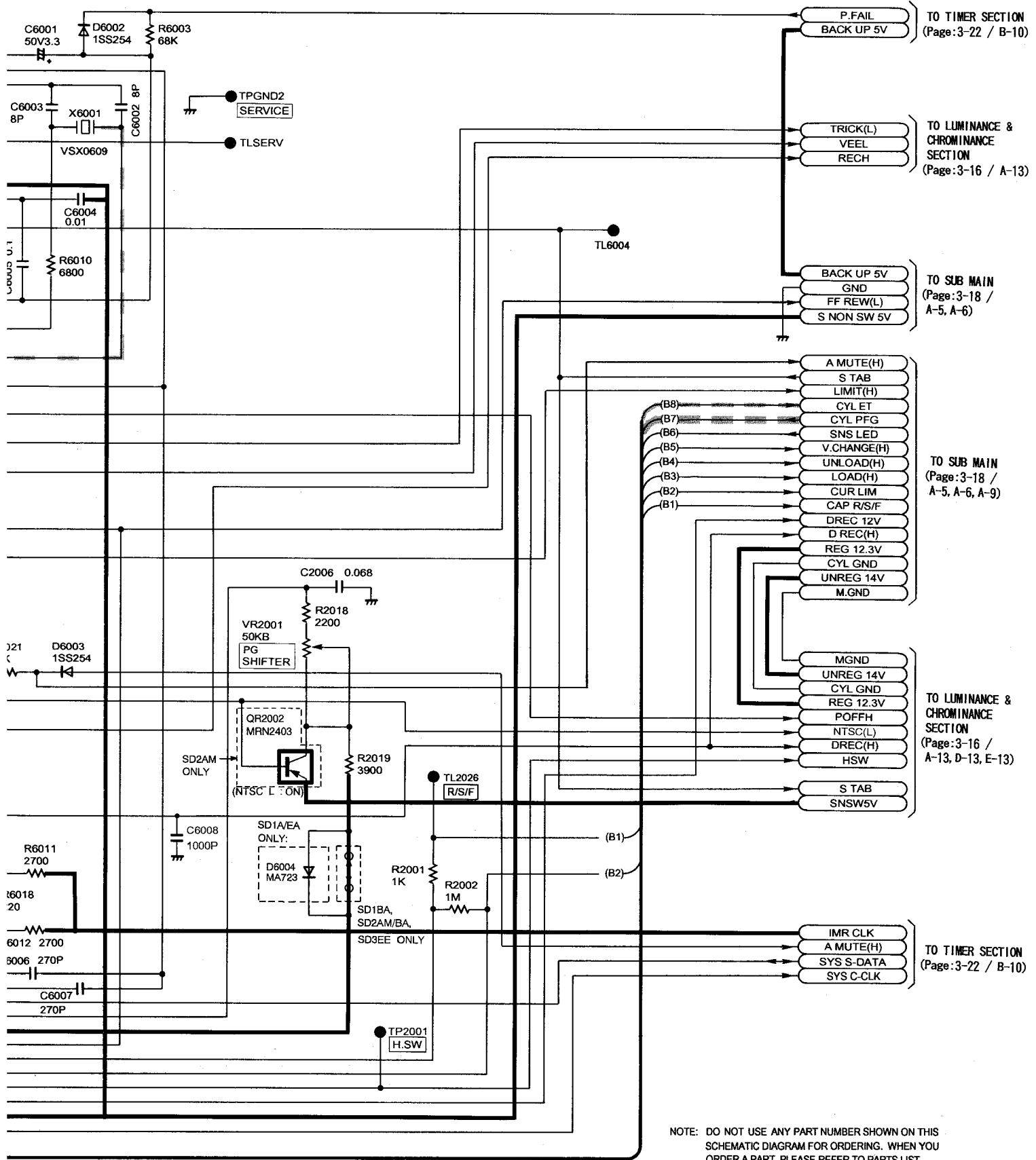
IMPORTANT SAFETY NOTICE:
COMPONENTS IDENTIFIED WITH THE MARK  HAVE THE SPECIAL CHARACTERISTICS FOR SAFETY.
WHEN REPLACING ANY OF THESE COMPONENTS, USE ONLY THE SAME TYPE.

NOTE: DO NOT USE ANY PART NUMBER SHOWN ON THIS SCHEMATIC DIAGRAM FOR ORDERING. WHEN YOU ORDER A PART, PLEASE REFER TO PARTS LIST.

SYSTEM CONTROL & SERVO SECTION IN MAIN SCHEMATIC DIAGRAM







TO TIMER SECTION
(Page:3-22 / B-10)

TO LUMINANCE &
CHROMINANCE
SECTION
(Page:3-16 / A-13)

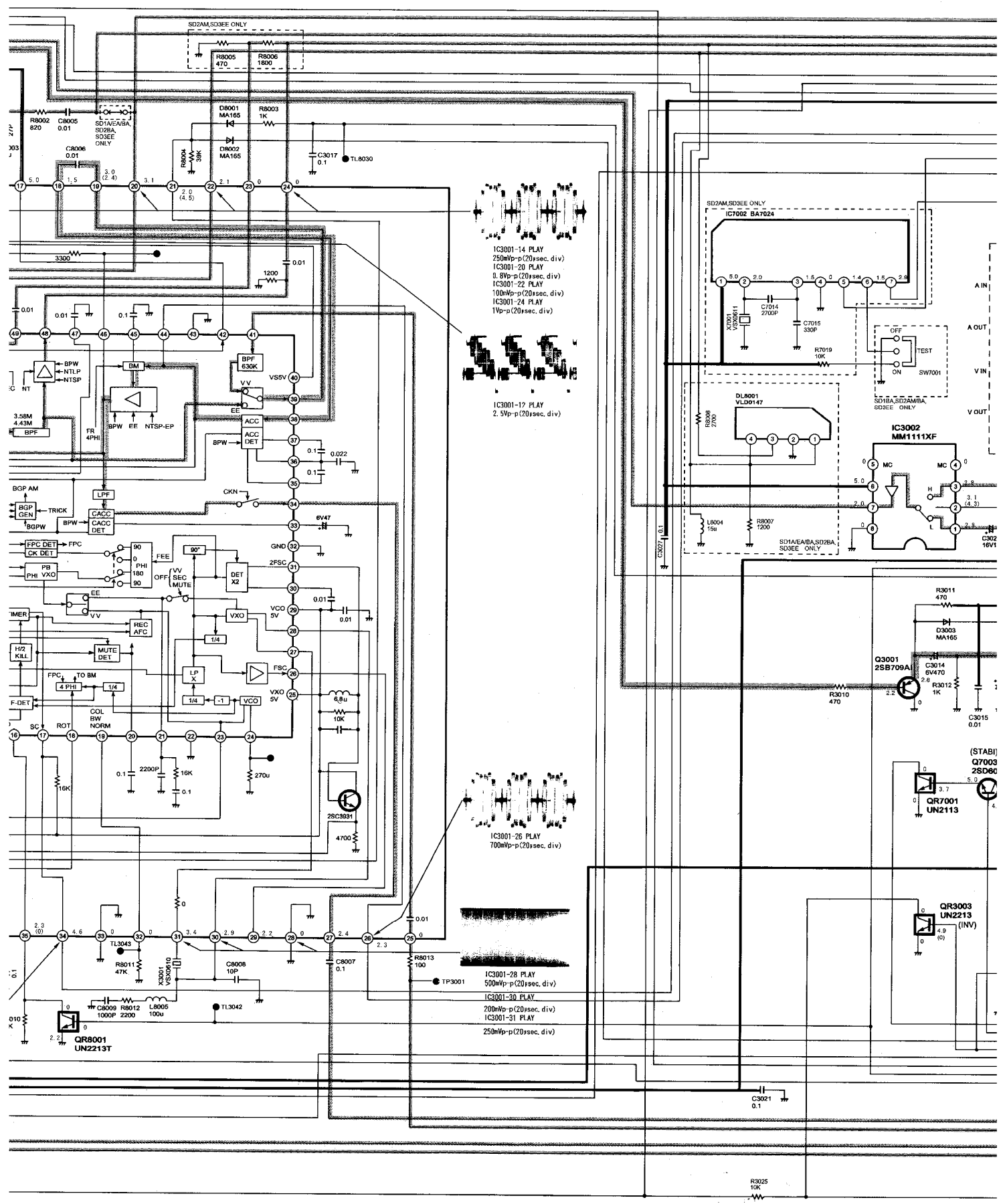
TO SUB MAIN
(Page:3-18 /
A-5, A-6)

TO SUB MAIN
(Page:3-18 /
A-5, A-6, A-9)

TO LUMINANCE &
CHROMINANCE
SECTION
(Page:3-16 /
A-13, D-13, E-13)

TO TIMER SECTION
(Page:3-22 / B-10)

NOTE: DO NOT USE ANY PART NUMBER SHOWN ON THIS SCHEMATIC DIAGRAM FOR ORDERING. WHEN YOU ORDER A PART, PLEASE REFER TO PARTS LIST.



SD2AM,SD3EE ONLY

R8005 470
R8006 1800
R8003 1K

D8001 MA165
D8002 MA165

C8005 0.01
C8006 0.01

C3017 0.1

TL8030

3300
1200

0.01

0.01
0.1

0.01
0.1

0.1
0.022

0.1
0.1

0.1
0.022

0.1
0.022

0.1
0.022

0.1
0.022

0.1
0.022

0.1
0.022

0.1
0.022

0.1
0.022

0.1
0.022

0.1
0.022

0.1
0.022

0.1
0.022

0.1
0.022

0.1
0.022

0.1
0.022

0.1
0.022

0.1
0.022

0.1
0.022

0.1
0.022

0.1
0.022

0.1
0.022



IC3001-14 PLAY
250mVp-p(20sec. div)
IC3001-20 PLAY
0.8Vp-p(20sec. div)
IC3001-22 PLAY
100mVp-p(20sec. div)
IC3001-24 PLAY
1Vp-p(20sec. div)



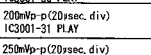
IC3001-17 PLAY
2.5Vp-p(20sec. div)



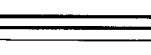
IC3001-26 PLAY
700mVp-p(20sec. div)



IC3001-28 PLAY
500mVp-p(20sec. div)



IC3001-30 PLAY
200mVp-p(20sec. div)



IC3001-31 PLAY
250mVp-p(20sec. div)

SD2AM,SD3EE ONLY

IC7002 BA7024

C7014 2700P
C7016 330P

R7019 10K

SW7001

SD1BA,SD2AM,BA,SD3EE ONLY

DL8001 VLD0147

IC3002 MM111XF

L8004 15u
R8007 1200

SD1BA,SD2AM,BA,SD3EE ONLY

Q3001 2SB709A

C3014 6V470
R3012 1K

C3015 0.01

R3010 470

R3011 470

D3003 MA165

Q7003 2SD60

QR7001 UN2113

QR3003 UN2213 (INV)

QR7001 UN2113

QR3003 UN2213 (INV)

QR7001 UN2113

QR3003 UN2213 (INV)

QR7001 UN2113

QR3003 UN2213 (INV)

QR7001 UN2113

QR3003 UN2213 (INV)

QR7001 UN2113

QR3003 UN2213 (INV)

(STAB)

Q7003 2SD60

QR7001 UN2113

QR3003 UN2213 (INV)

QR7001 UN2113

QR3003 UN2213 (INV)

QR7001 UN2113

QR3003 UN2213 (INV)

QR7001 UN2113

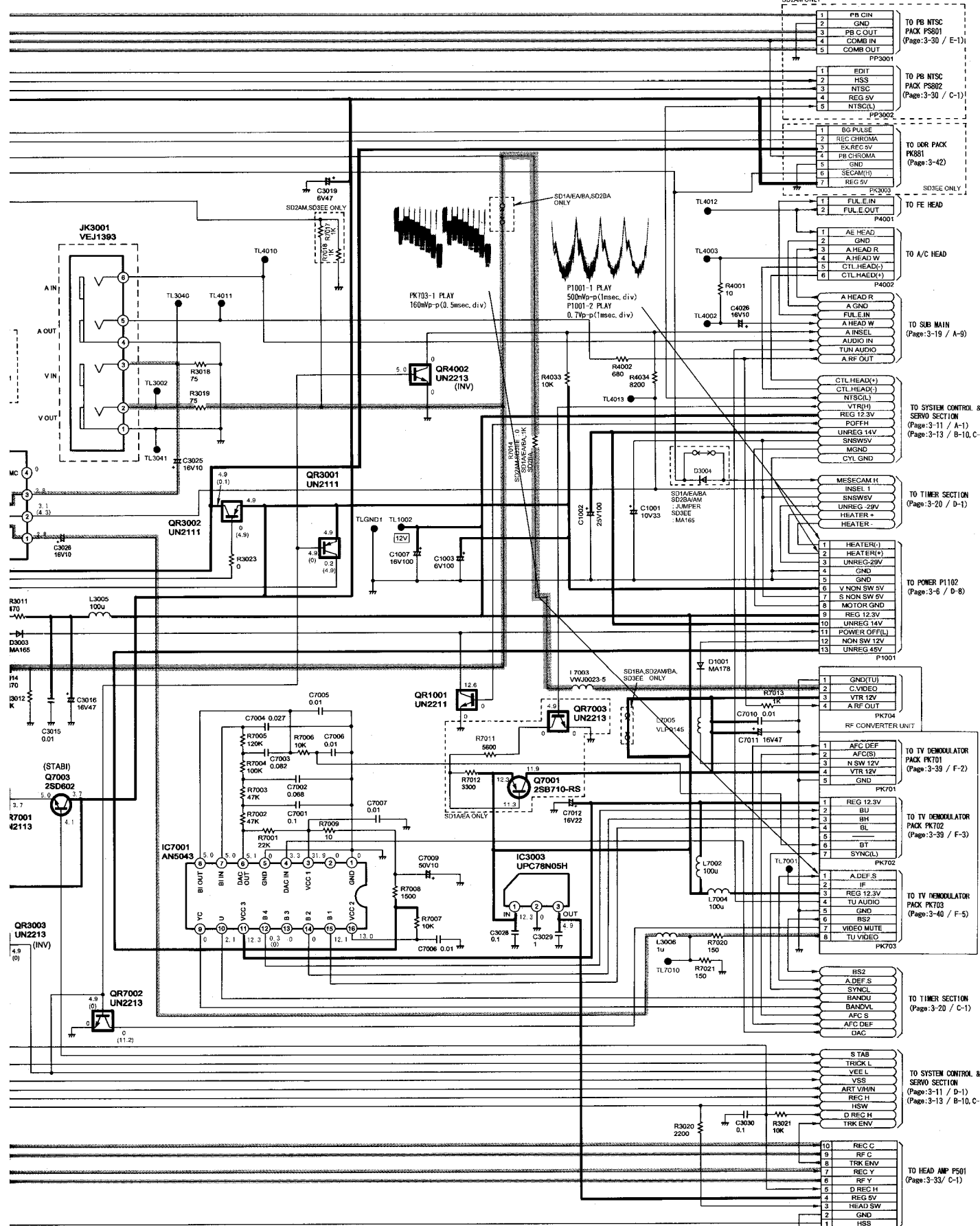
QR3003 UN2213 (INV)

QR7001 UN2113

QR3003 UN2213 (INV)

QR7001 UN2113

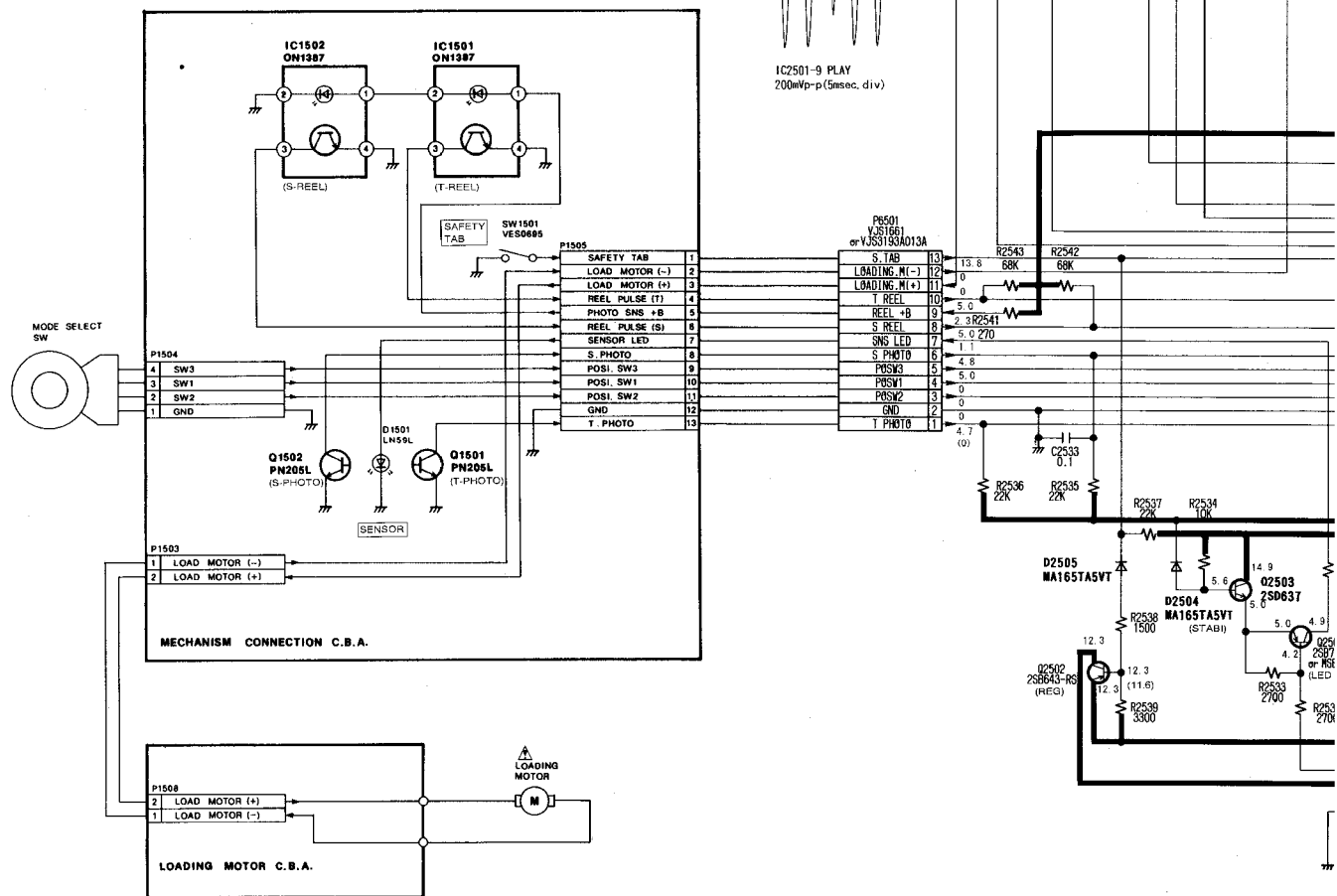
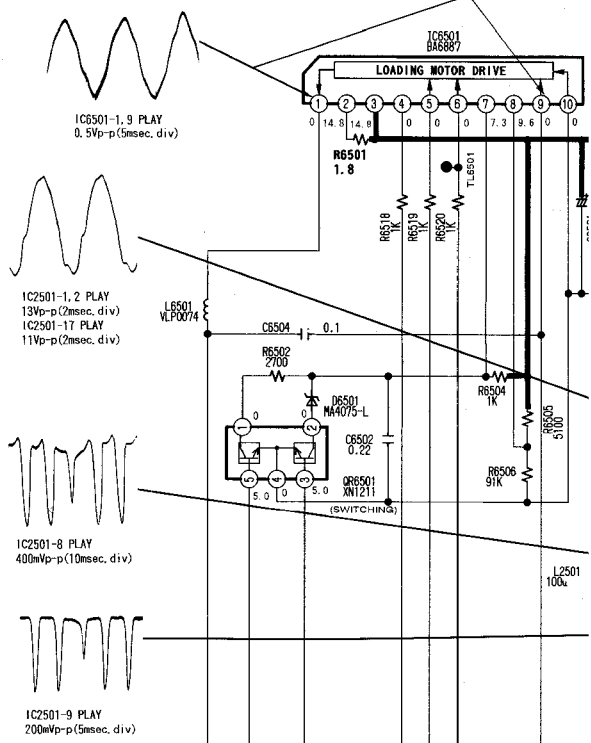
R3025 10K

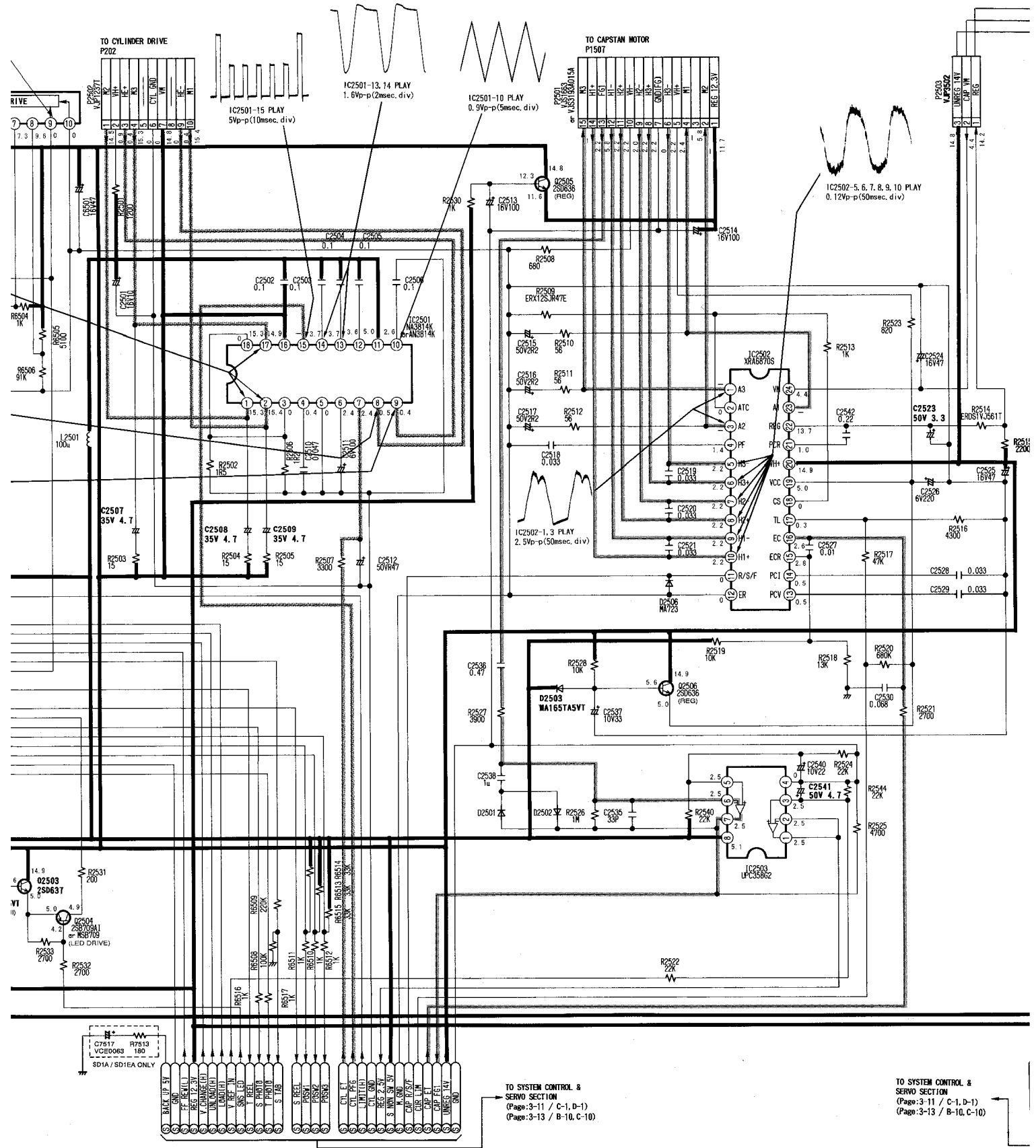


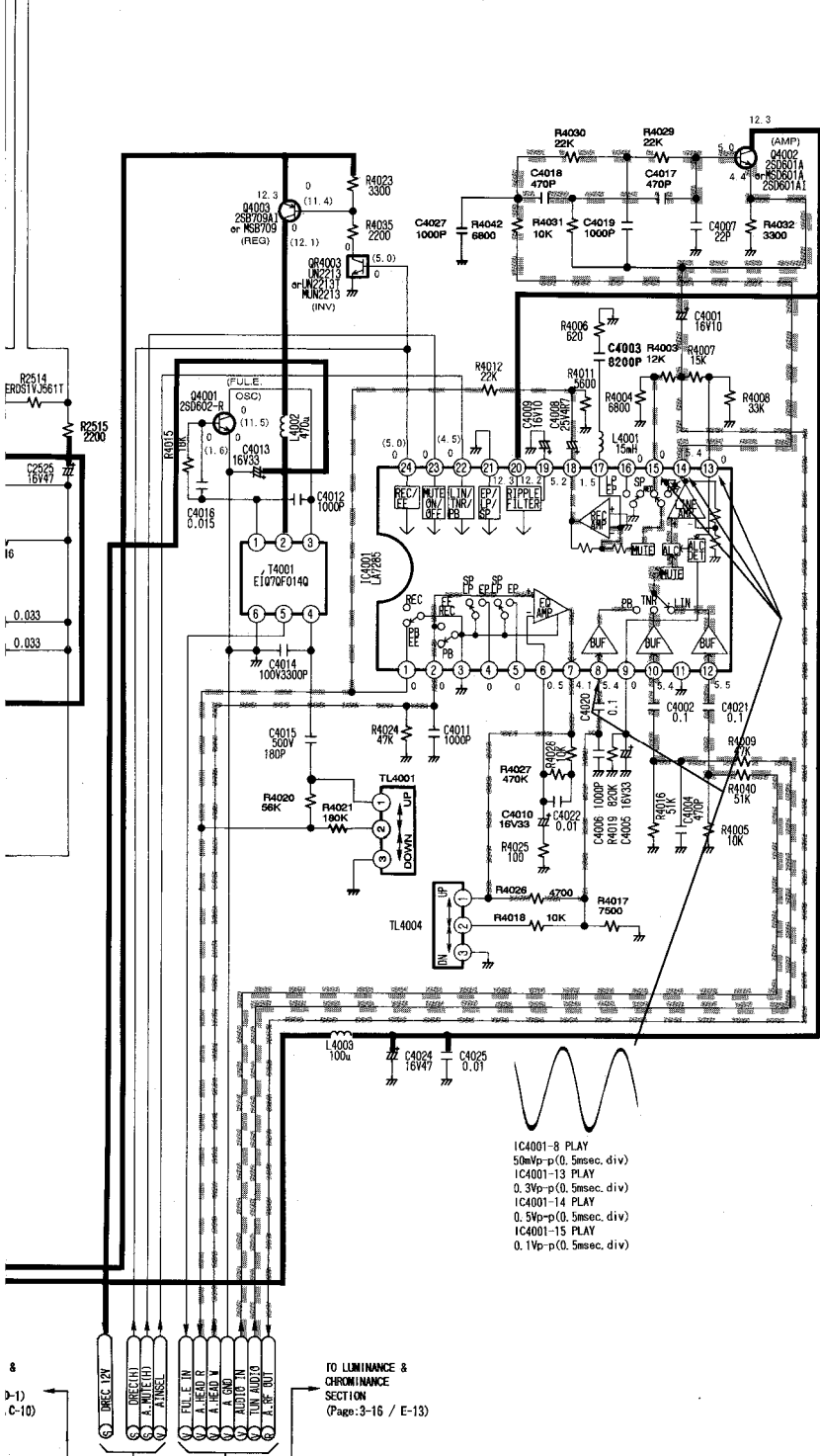
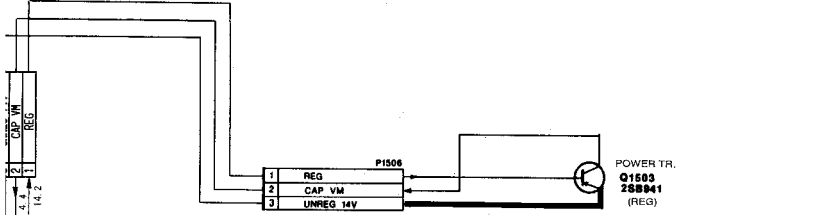
- SD2AM, SD3EE ONLY
- | | |
|---|----------|
| 1 | PB CIN |
| 2 | GND |
| 3 | PB C OUT |
| 4 | COMB IN |
| 5 | COMB OUT |
- PP3001
- | | |
|---|---------|
| 1 | EDIT |
| 2 | HSS |
| 3 | NTSC |
| 4 | REG SV |
| 5 | NTSC(L) |
- PP3002
- | | |
|---|------------|
| 1 | BG PULSE |
| 2 | REC CHROMA |
| 3 | EX REC 5V |
| 4 | PB CHROMA |
| 5 | GND |
| 6 | SECAM(I) |
| 7 | REG 5V |
- TO DR PACK PK881 (Page:3-42)
- SD3EE ONLY
- | | |
|---|-----------|
| 1 | FUL.E.IN |
| 2 | FUL.E.OUT |
- P4001
- | | |
|---|-------------|
| 1 | AE HEAD |
| 2 | GND |
| 3 | A HEAD R |
| 4 | A HEAD W |
| 5 | CTL HEAD(-) |
| 6 | CTL HEAD(+) |
- P4002
- | | |
|---|----------|
| 1 | A HEAD R |
| 2 | A HEAD W |
| 3 | FUL.E.IN |
| 4 | A HEAD W |
| 5 | A INSEL |
| 6 | A RF OUT |
- TO SUB MAIN (Page:3-19 / A-9)
- | | |
|----|-------------|
| 1 | CTL HEAD(+) |
| 2 | CTL HEAD(-) |
| 3 | NTSC(L) |
| 4 | VTR(H) |
| 5 | REG 12.3V |
| 6 | POFHV |
| 7 | UNREG 14V |
| 8 | SNSW5V |
| 9 | MCR |
| 10 | CYL GND |
- TO SYSTEM CONTROL & SERVO SECTION (Page:3-11 / A-1) (Page:3-13 / B-10, C-10)
- | | |
|---|-----------|
| 1 | MESECAM H |
| 2 | INSEL I |
| 3 | SNSW5V |
| 4 | UNREG-29V |
| 5 | HEATER+ |
| 6 | HEATER- |
- TO TIMER SECTION (Page:3-20 / D-1)
- | | |
|----|--------------|
| 1 | HEATER(-) |
| 2 | HEATER(+) |
| 3 | UNREG-29V |
| 4 | GND |
| 5 | GND |
| 6 | V NON SW 5V |
| 7 | S NON SW 5V |
| 8 | MOTOR GND |
| 9 | REG 12.3V |
| 10 | UNREG 14V |
| 11 | POWER OFF(L) |
| 12 | NON SW 12V |
| 13 | UNREG 45V |
- P1001
- TO POWER P1102 (Page:3-6 / D-8)
- | | |
|---|----------|
| 1 | GND(TU) |
| 2 | C VIDEO |
| 3 | VTR 12V |
| 4 | A RF OUT |
- PK704
- RF CONVERTER UNIT
- | | |
|---|----------|
| 1 | AFC DEF |
| 2 | AFC(S) |
| 3 | N SW 12V |
| 4 | VTR 12V |
| 5 | GND |
- PK701
- TO TV DEMODULATOR PACK PK701 (Page:3-39 / F-2)
- | | |
|---|-----------|
| 1 | REG 12.3V |
| 2 | BL |
| 3 | BH |
| 4 | BL |
| 5 | BT |
| 6 | BT |
| 7 | SYNCL(L) |
- PK702
- TO TV DEMODULATOR PACK PK702 (Page:3-39 / F-3)
- | | |
|---|------------|
| 1 | A DEF S |
| 2 | IF |
| 3 | REG 12.3V |
| 4 | TU AUDIO |
| 5 | GND |
| 6 | RS2 |
| 7 | VIDEO MUTE |
| 8 | TU VIDEO |
- PK703
- TO TV DEMODULATOR PACK PK703 (Page:3-40 / F-5)
- | | |
|---|---------|
| 1 | B S2 |
| 2 | A DEF S |
| 3 | SYNCL |
| 4 | BANDU |
| 5 | BANDV |
| 6 | AFC S |
| 7 | AFC DEF |
| 8 | DAC |
- TO TIMER SECTION (Page:3-20 / C-1)
- | | |
|---|----------|
| 1 | S TAB |
| 2 | TRK(L) |
| 3 | VEE L |
| 4 | VSS |
| 5 | ART VTRN |
| 6 | REG H |
| 7 | H SW |
| 8 | D REC H |
| 9 | TRK ENV |
- TO SYSTEM CONTROL & SERVO SECTION (Page:3-11 / D-1) (Page:3-13 / B-10, C-10)
- | | |
|----|---------|
| 10 | REC C |
| 9 | RF C |
| 8 | TRK ENV |
| 7 | REC Y |
| 6 | RF Y |
| 5 | D REC H |
| 4 | REG 5V |
| 3 | HEAD SW |
| 2 | GND |
| 1 | HSS |
- P3001
- TO HEAD AMP P501 (Page:3-33 / C-1)

SUB MAIN SCHEMATIC DIAGRAM

CAPSTAN SERVO PHASE LOOP
 CAPSTAN SERVO SPEED LOOP
 AUDIO MAIN SIGNAL PATH IN PLAYBACK MODE
 AUDIO MAIN SIGNAL PATH IN REC MODE







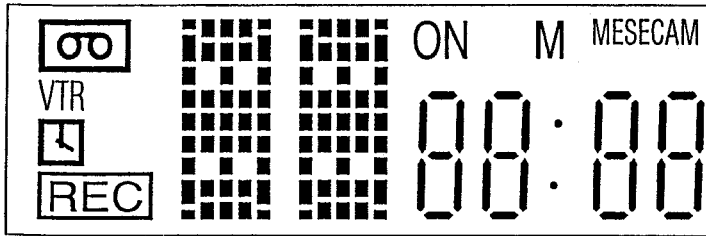
IC4001-8 PLAY
50mVp-p(0.5msec. div)
IC4001-13 PLAY
0.3Vp-p(0.5msec. div)
IC4001-14 PLAY
0.5Vp-p(0.5msec. div)
IC4001-15 PLAY
0.1Vp-p(0.5msec. div)

8
D-1
C-10

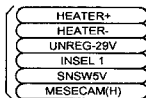
TO LUMINANCE &
CHROMINANCE
SECTION
(Page:3-16 / E-13)

TIMER SECTION IN MAIN & OPERATION SCHEMATIC DIAGRAM

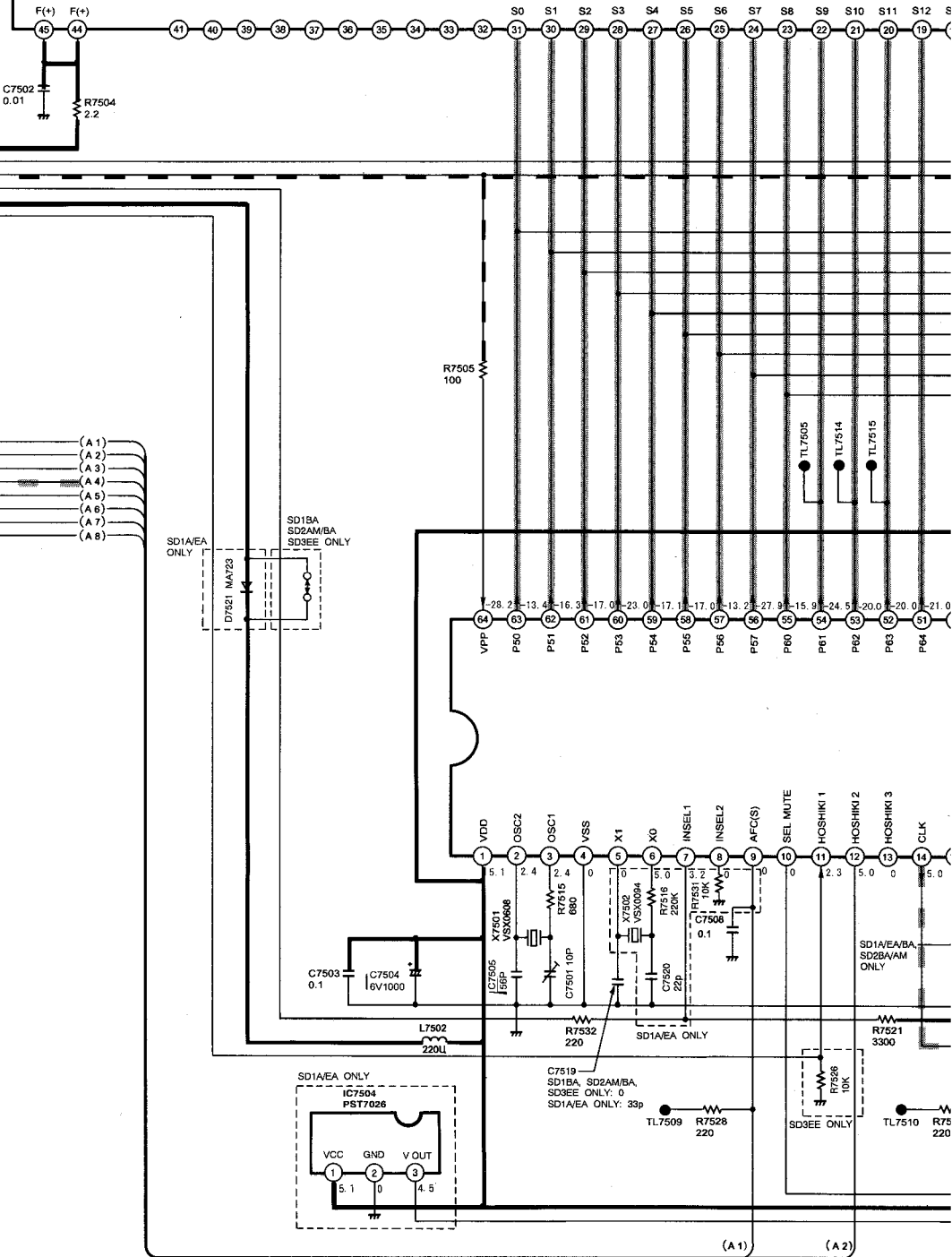
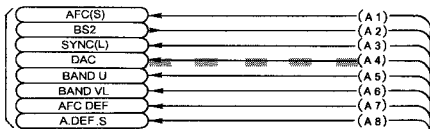
DP7501
VSL0311



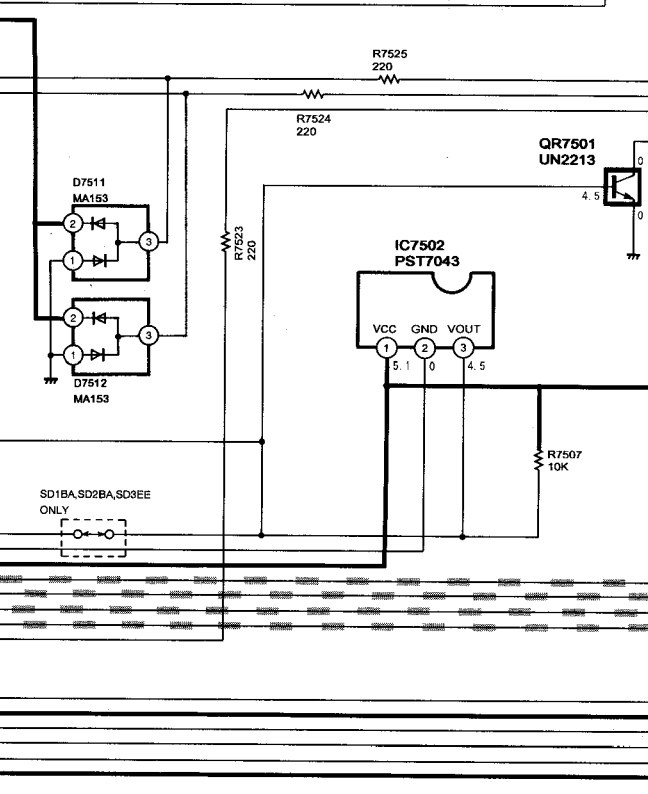
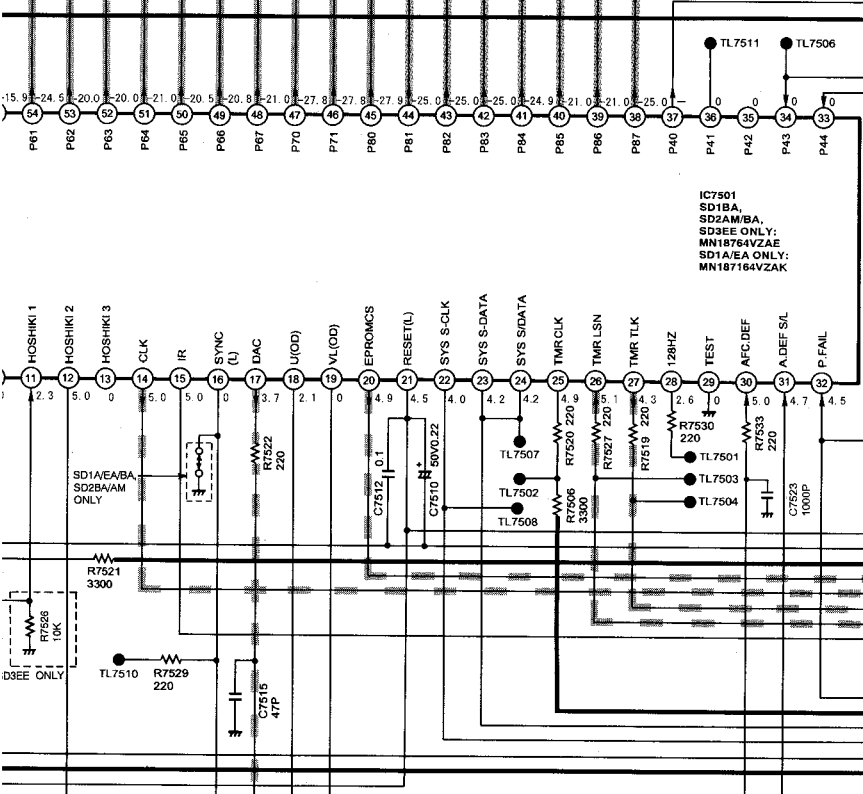
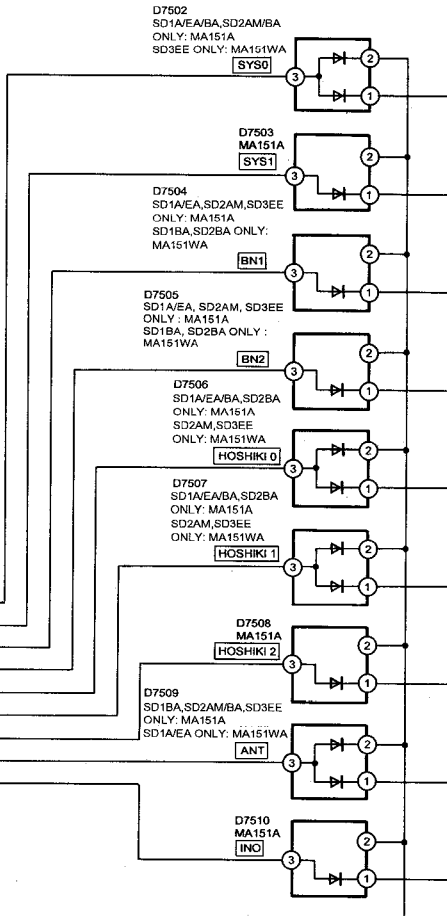
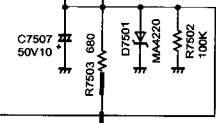
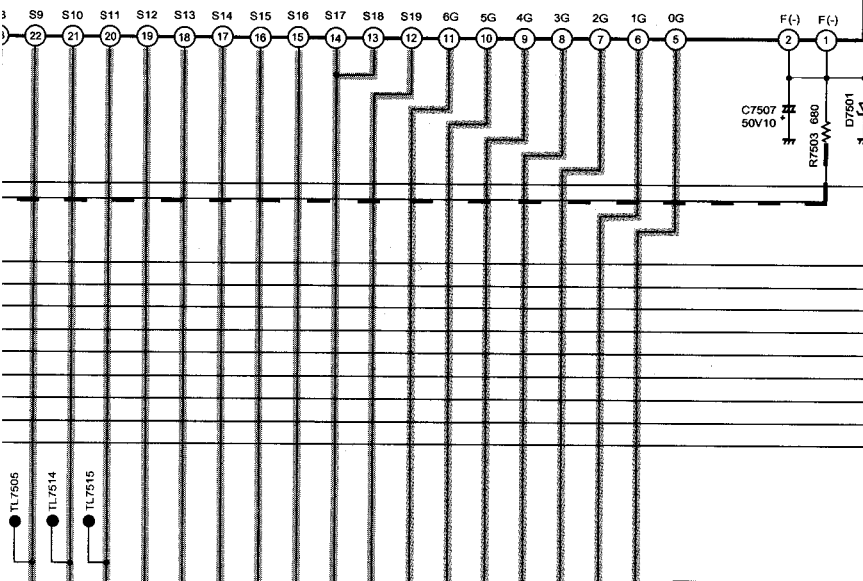
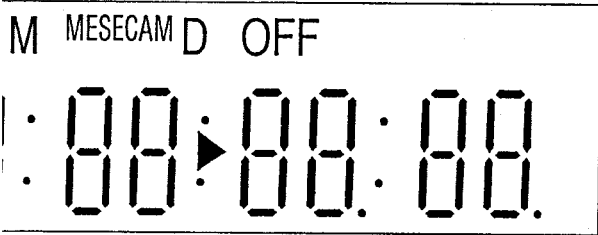
TO LUMINANCE &
CHROMINANCE
SECTION
(Page:3-16 / D-13)



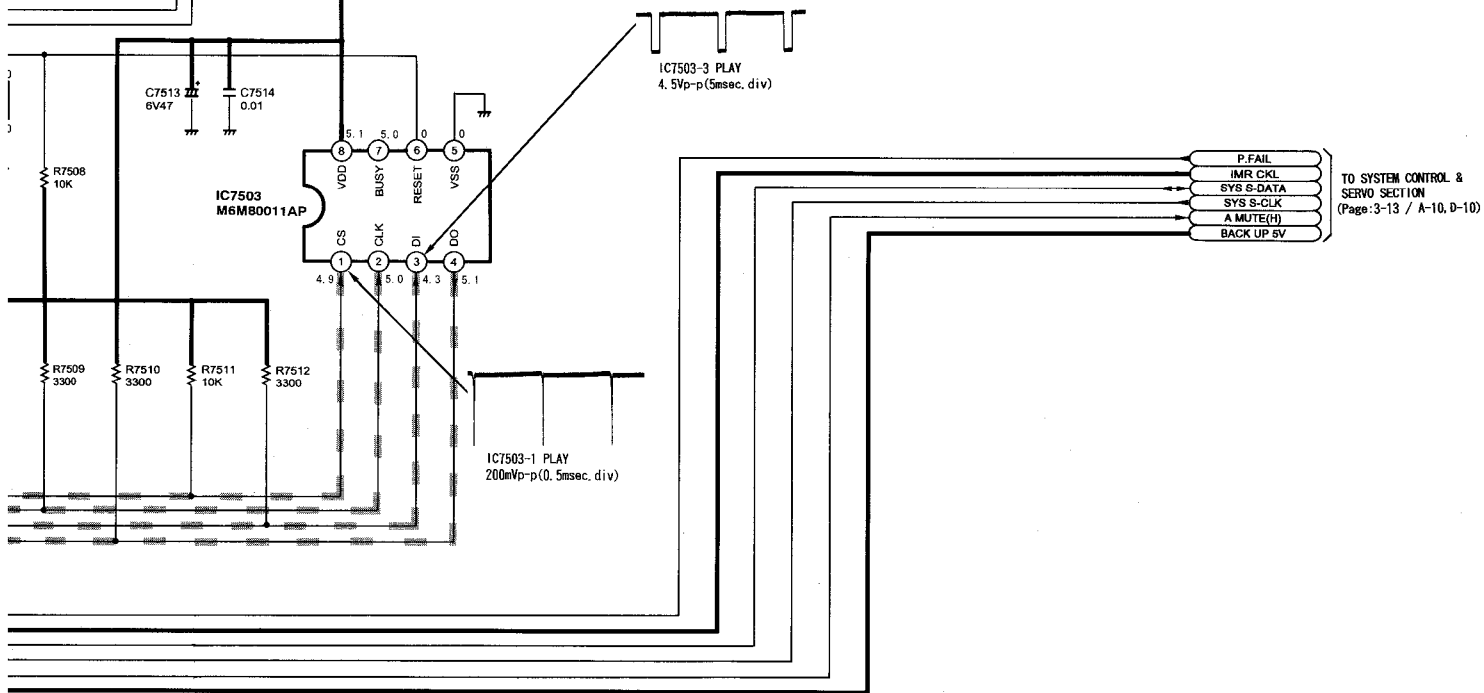
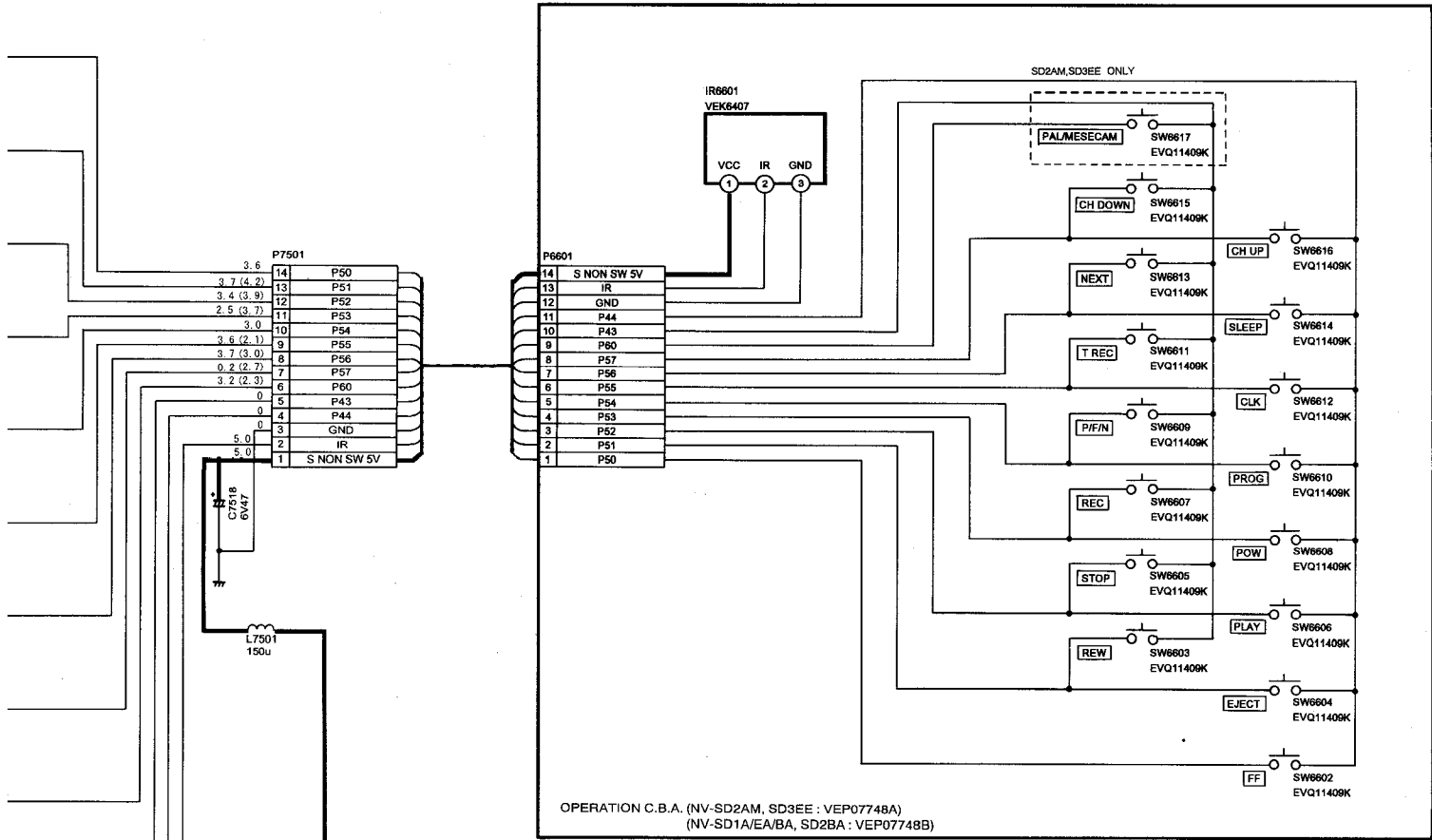
TO LUMINANCE &
CHROMINANCE
SECTION
(Page:3-16 / B-13)



(A 1) (A 2)



(A2) (A3) (A4) (A5) (A6) (A7) (A8)



NTSC PACK SCHEMATIC DIAGRAM (NV-SD2AM ONLY)

PS801
VJS3043B005W

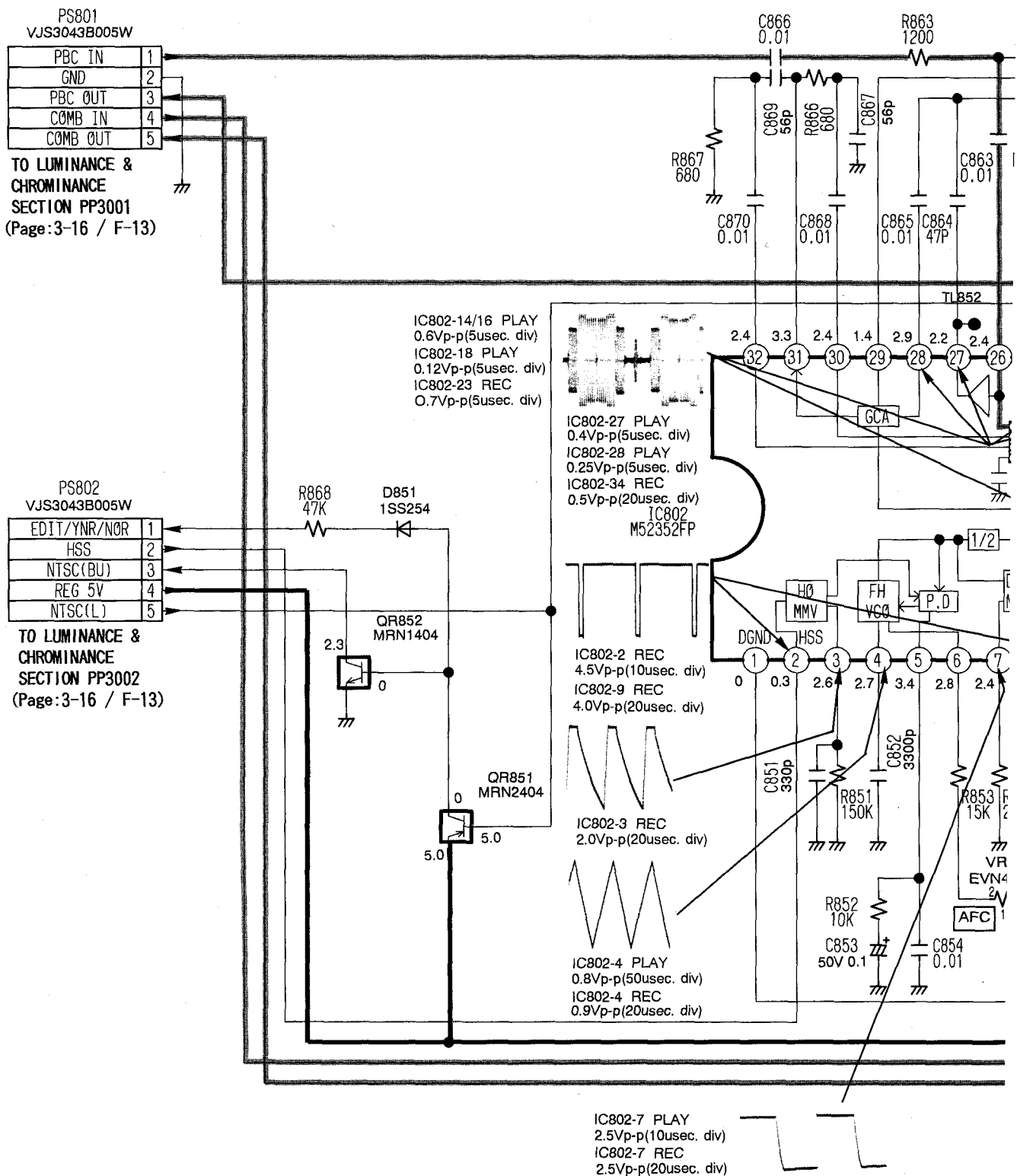
PBC IN	1
GND	2
PBC OUT	3
COMB IN	4
COMB OUT	5

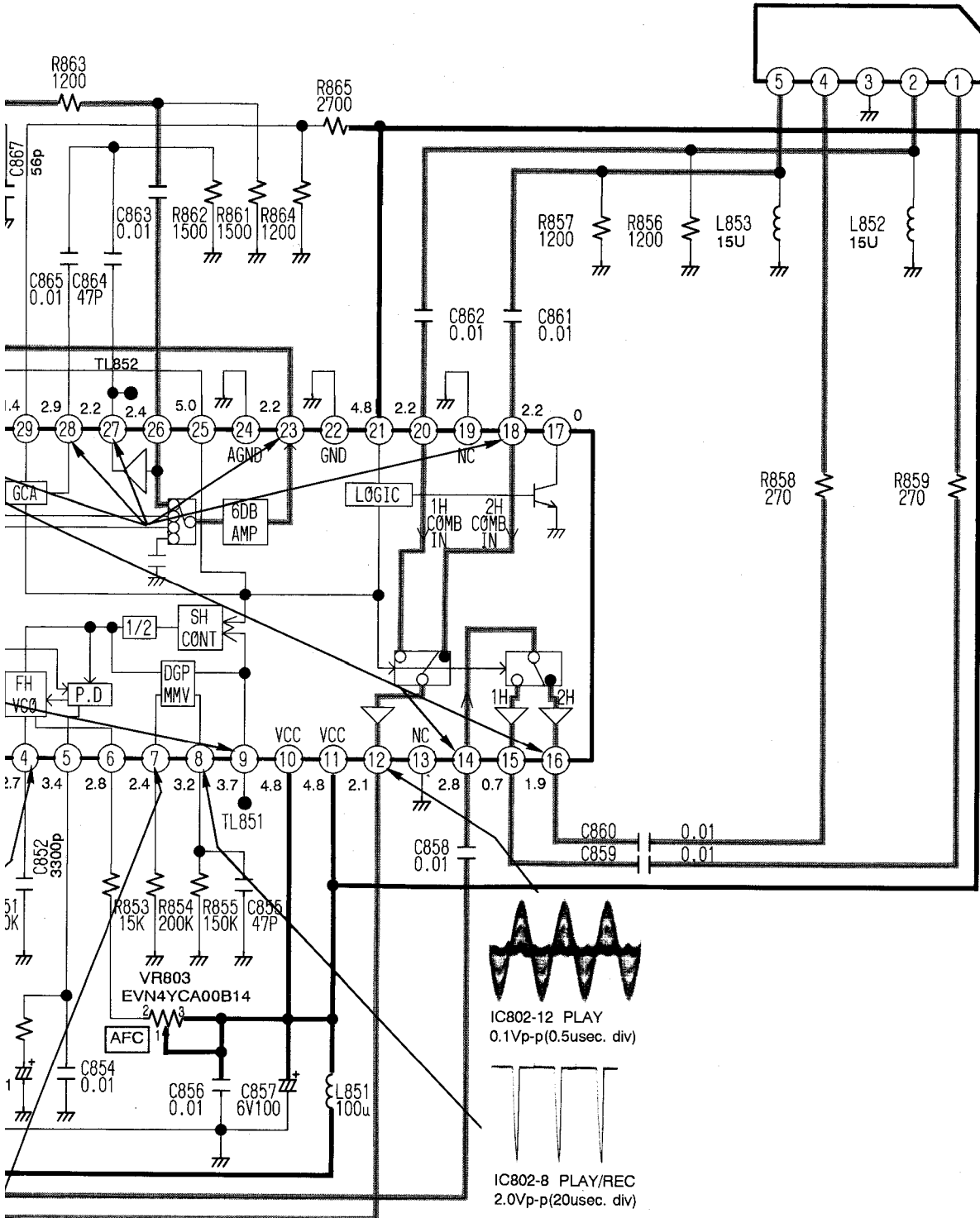
TO LUMINANCE &
CHROMINANCE
SECTION PP3001
(Page:3-16 / F-13)

PS802
VJS3043B005W

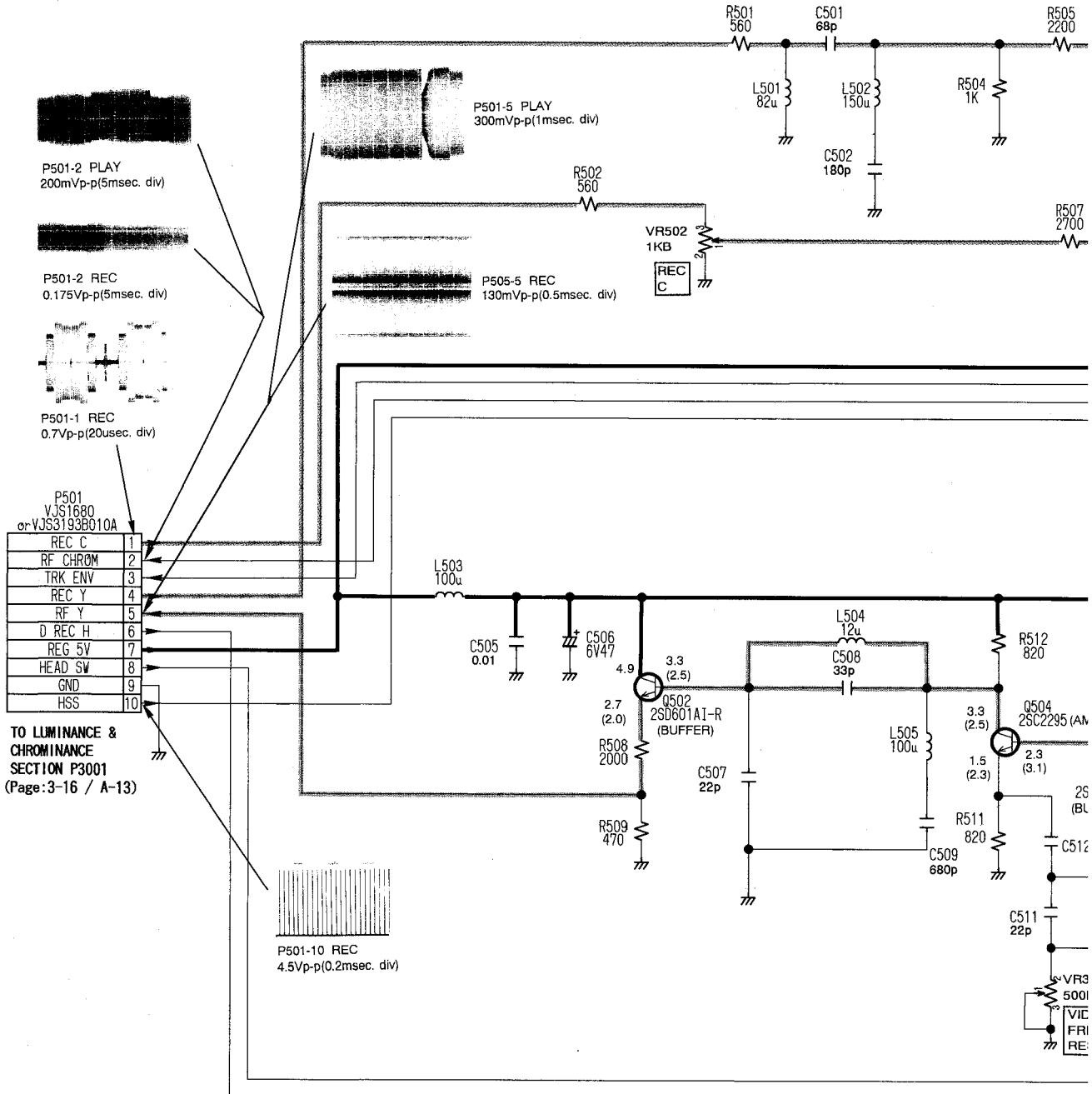
EDIT/YNR/NOR	1
HSS	2
NTSC(BU)	3
REG 5V	4
NTSC(L)	5

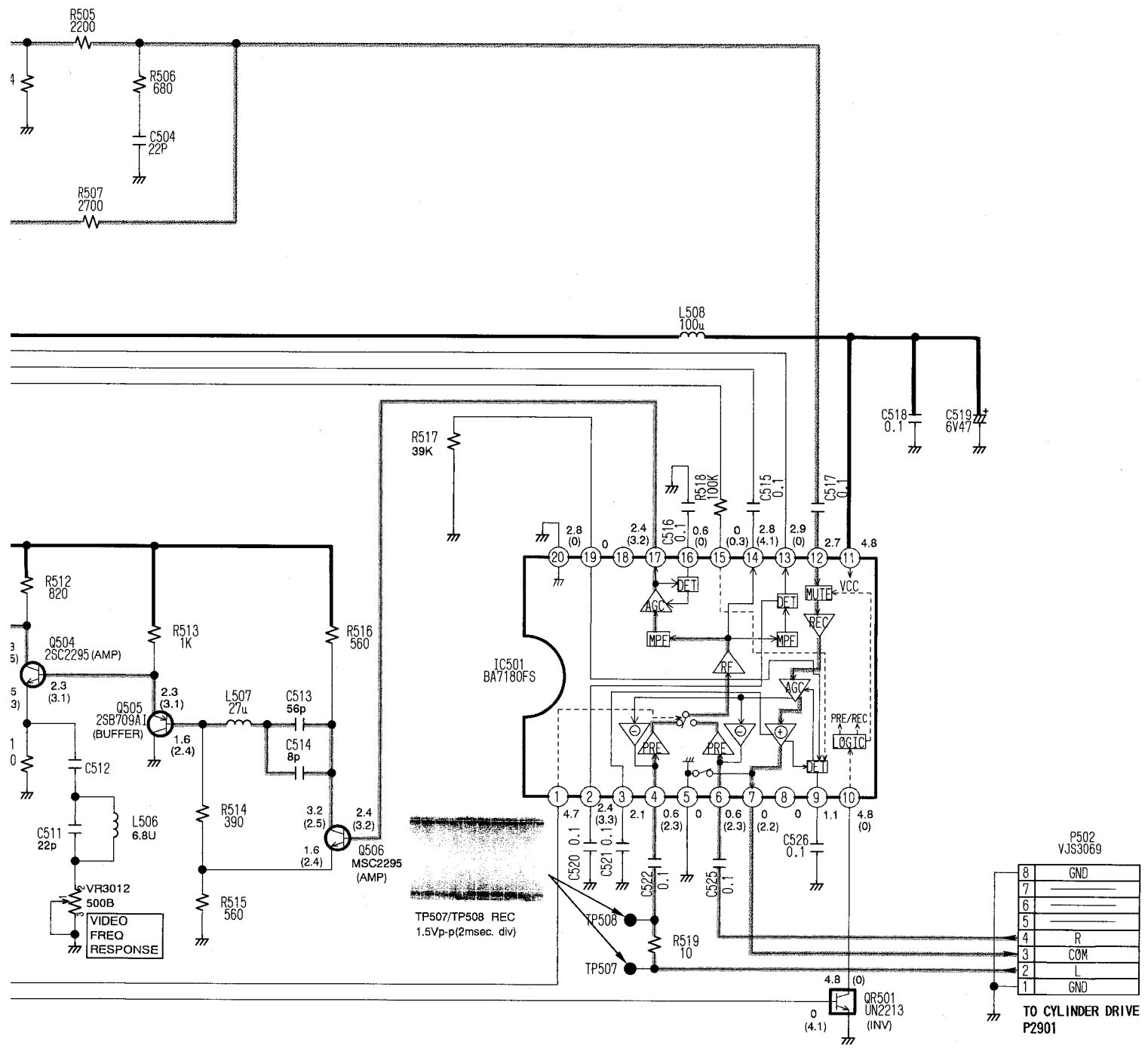
TO LUMINANCE &
CHROMINANCE
SECTION PP3002
(Page:3-16 / F-13)





HEAD AMP SCHEMATIC DIAGRAM

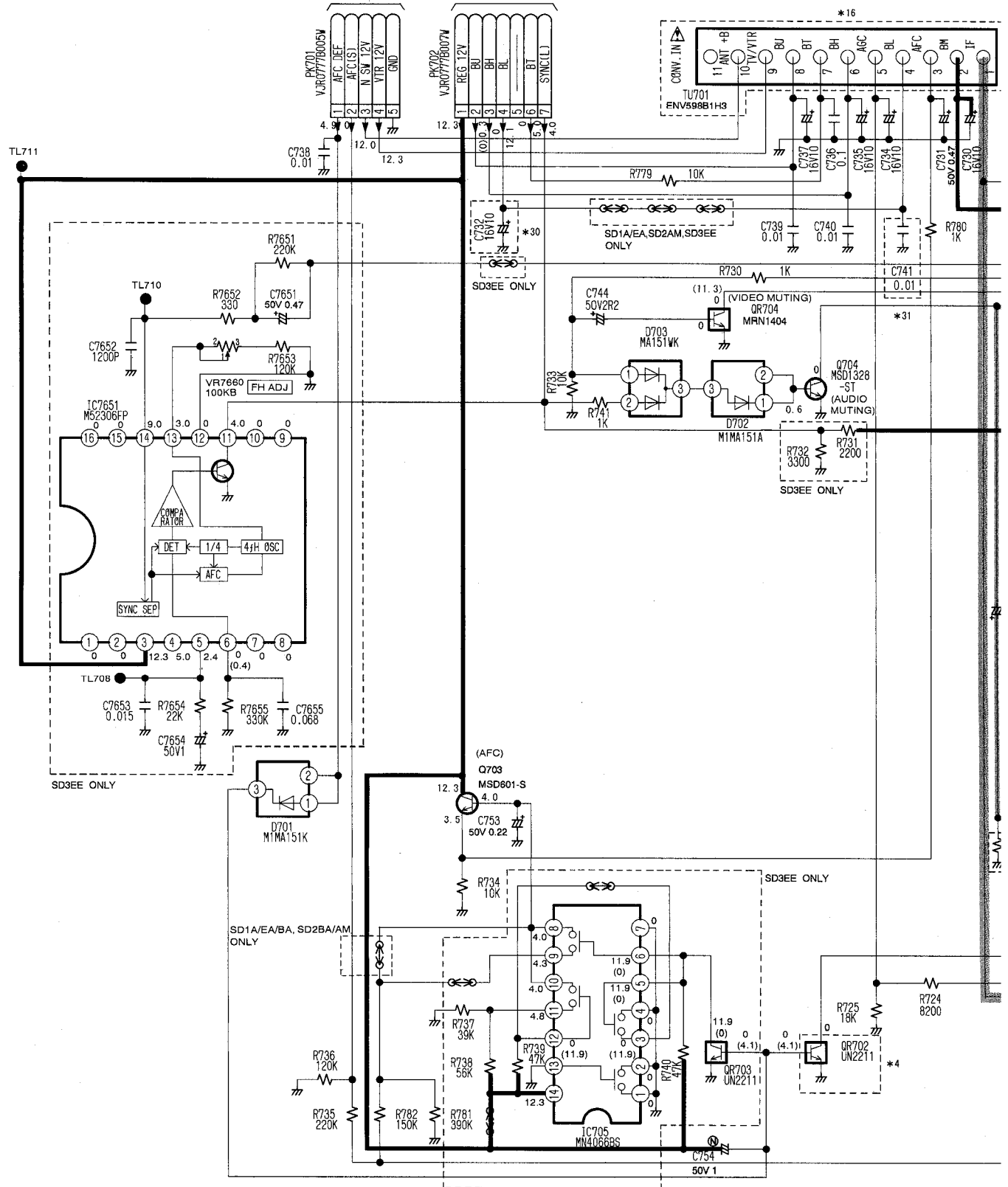




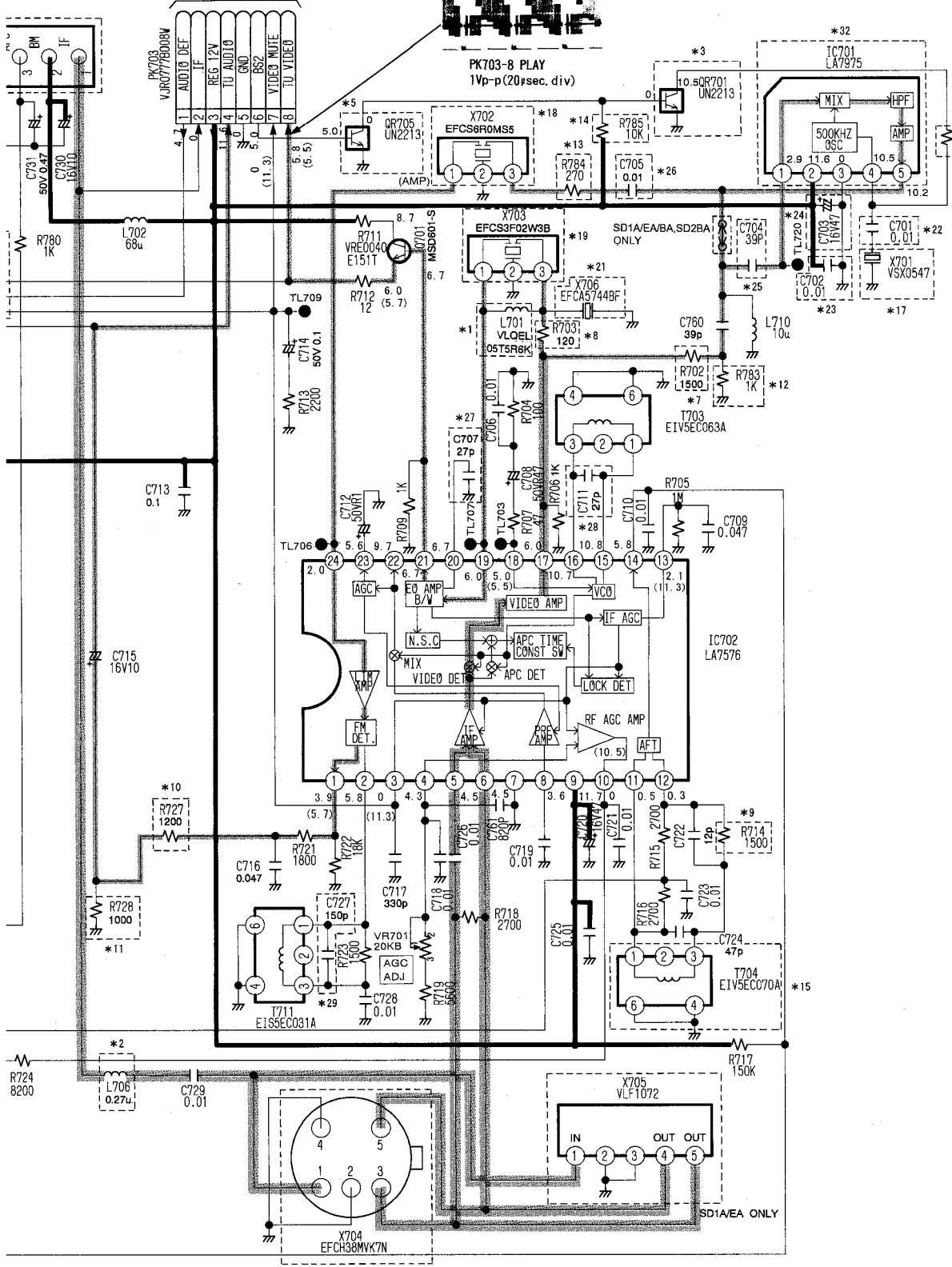
DEMODULATOR PACK CONNECTION DIAGRAM

TO LUMINANCE &
CHROMINANCE
SECTION PK701
(Page:3-16 / C-13)

TO LUMINANCE &
CHROMINANCE
SECTION PK702
(Page:3-16 / C-13)



TO LUMINANCE &
CHROMINANCE
SECTION PK703
(Page:3-16 / B-13)



PK703-8 PLAY
1Vp-p(20sec.div)

IC701
LA7975

X703
EFC3S702W3B

IC702
LA7576

X704
EFC38MWK7N

X705
VLF1072

PK881

1	BG PULSE
2	REC CHROMA
3	E.REC 5V
4	P.B CHROMA
5	GND
6	SECAM (H)
7	REG 5V

TO LUMINANCE & CHROMINANCE SECTION
(Page:3-16/F-13)

